

AGRI MAX

50.8 | 60.9 | 65.8 | 75.10



DIECI



ABSOLUTE QUALITY *EXCELLENCE ON A HUMAN SCALE*

The characteristics of Dieci products can be summarized in three concepts that have always been the hallmark of each vehicle: **technology, reliability** and **durability**.

A range of products that aim at excellence, developed around who uses them: man. We work every day to evolve our vehicles, adopting the best solutions based on our research, advice and experiences with our customers.

The result is the technological content of the vehicles we produce: the set of components and their set-up guarantee an **optimal performance** level. The result is a style that stands out, because we believe that our identity is our strength.

AGRI MAX, the most performing among the vehicles of the Dieci agricultural range, has been redesigned on a human scale: with the new futuristic cab signed by Giugiaro Design and important interventions on comfort and performance. We have provided farmers with a **top-quality telehandler**.

EXCLUSIVE COMFORT *ITALIAN DESIGN AND STYLE*

Dieci telehandler cabs have always been a combination of **comfort** and **functionality** linked with the **style** which makes us stand out all over the world. In the NEW CAB we wanted to enhance the Made in Italy with the touch of one of the most famous Italian Designers: **Giugiaro Design**.

The interiors are made of **soft touch materials** obtained from the Automotive sector, extremely soft to the touch, which ensure excellent **thermal and sound insulation**, in addition to **significantly reducing vibrations**. Aesthetics and quality combine with functionality: the passenger compartment is particularly bright thanks to the matching of soft colors and the backlighting of the pedal group, switches and access ladder. Full light and visibility also outwards, with a generous window that allows an **excellent 360° view**, LED work lights on the cab, perimeter and boom, electrically adjustable and heated wing mirrors and three wireless cameras that also inspect the most hidden points.

We want to offer the best comfort to operators, for this we have amplified the traditional comfort of the Dieci cabs with wider spaces for the legs, adjustable steering wheel and armrest, the choice of three different seat suspension systems and a **new cab shock absorption system**, unique in the telehandlers sector, able to effectively dampen the most annoying oscillations of the most uneven ground.

Finally, from research and advanced fluid dynamics studies, we have developed the new **air conditioning system** that, together with the openable roof and rear glass, ensures an optimized air distribution in order to regulate the ideal temperature in every season of the year.





FULL COMFORT

LARGER

- Improved ergonomics and accessibility: more space for the operator's legs

MORE COMFORTABLE

- Cab with hydraulic shock absorbers: shocks fully absorbed
- Adjustable steering column and armrest, heated seat with 3 suspension system options: driving on a comfortable seat

INTERIOR DESIGN

PRECIOUS TOUCH

- Precious soft-touch interiors obtained from the Automotive industry

THE NOISE OUTSIDE

- Soundproofed roof, instrument panel and mat insulate the cab from noise



PERFECT CLIMATE

ALWAYS THE RIGHT TEMPERATURE

- Optimized air flows: 6 vents available, openable rear glass and roof, integrated electric lateral window
- Quick demisting of the windows

DOUBLE AIR FILTER

- Operator protected against dust and odors



TOTAL VISIBILITY

PANORAMIC VIEW, ALWAYS

- Large windows: optimal visibility in all directions
- Integrated LED work lights: better view, consume less, last longer
- Headlights everywhere: perimeter, on the boom and on the boom head

EVERYTHING UNDER CONTROL

- Color graphic display
- Navigation encoder
- Electrically adjustable and heated wing mirrors
- 3 wireless cameras: rear, right side and boom head



PURE TECHNOLOGY POWER AND CONTROL

Man operates, technology empowers and controls. The new agricultural range is designed on a fully integrated and **advanced electronic vehicle management system**: an exclusive Dieci feature.

All the vehicle control functions (RPM control, speed and diagnostics) refer to a **single control unit** that measures the optimal working parameters through in-depth diagnostics, displaying them in real time, allowing the operator to always have **everything under control**.

The tilting capacity and force have been increased, the boom can be fully operated on the dashboard with a **new joystick**, which also incorporates the fwd/rev selector (FNR reverse shuttle), for easier and more practical direction control.

Also the **frame** features new strength, while the **Vario System transmission** guarantees power, reactivity and control in maneuvers thanks to the integrated electronic management.



DTS

- The innovative **Dieci Telematic System** enables the Dieci support team to interact remotely with the vehicle to allow geolocation, and the monitoring of performance and other telemetric functions
- By installing a high-tech control unit, the customer and the manufacturer can **connect to the machine in real time** from a computer or any mobile device and, through the **GSM and GPS networks**, discover where, if and how the machine is working, and **detect any operating anomalies**
- The operating data, collected via cloud, enable full **monitoring and diagnostics**. The support team can analyze the parameters directly, identify shortfalls in performance, and improve functionality by updating software or identify any maintenance operations required, thereby **optimizing costs** and ensuring **the vehicle and fleet are maintained in peak efficiency**
- The machine and its operators benefit from **active protection against theft and accident**: a notification is sent immediately if the vehicle leaves the predefined area. By setting a safe operating track, the operator is immediately alerted to any risk of impact or anomaly



EVOLUTION OF THE FAMILY

| | |
|---|---|
|  <p>AGRI MAX 50.8 ↑ Maximum height 7,7 m 📊 5 t capacity</p> |  <p>AGRI MAX 65.8 ↑ Maximum height 7,7 m 📊 6,5 t capacity</p> |
|  <p>AGRI MAX 60.9 ↑ Maximum height 8,6 m 📊 6 t capacity</p> |  <p>AGRI MAX 75.10 ↑ Maximum height 9,65 m 📊 7,5 t capacity</p> |

ADVANCED TELESCOPIC BOOM

ELECTRONIC COMFORT, TECHNOLOGICAL POWER

- Reinforced boom made of High Resistance Steel: more reliable
- Extension cylinder with closing shock absorber: more comfort
- Suspension electronic control according to the speed and height
- Load Sensing - Flow Sharing Distributors: more simultaneous movements for a more efficient work
- Direction of travel and boom controlled by the new CAN-bus joystick

ATTACHMENT HOLDING PLATE

NEW ATTACHMENT HOLDING PLATE

- Reinforced in steel
- Counter-lever articulation: greater tilting angle

NEW AUTOMATIC COUPLING SYSTEM

- Tools recognition without manual operations: easier, maximum safety
- Immediate machine setting for different uses

HYDRAULIC ACCESSORIES LOCK

- Double cylinder, double action, maximum stability



VARIO SYSTEM TRANSMISSION

STRONG AND FAST

- Maximum speed 40 km/h

CRUISE CONTROL

- Electronic accelerator and limiter

4 DRIVING MODES:

- Normal
- ECO
- Loader
- Creeper





POWER *FAST, ACCURATE AND ECOLOGICAL*

Power, up to 172 hp, but above all **high performance**: this is the spirit of the new engines that drive AGRI MAX family. Cutting-edge engines with fully electronic control, to optimize **power output and efficiency**. Its 4485 CC displacement develops an impressive torque at only 1500 rpm. All without renouncing to long lasting reliability and **respect for the environment**, with DOC and SCRoF systems to reduce atmospheric emissions according to Stage V.



ENGINE

HIGH PERFORMANCE

- Torque up to 710 Nm at only 1500 rpm

ELECTRONIC EVOLUTION

- Complete electronic control: optimized output and efficiency

LONG AUTONOMY

- New top-of-range tank: 140 liters of fuel

CLEAN POWER

MINIMUM EMISSIONS

- Stage V system
- DOC+SCRoF catalysts
- 27 liter Urea tank

HYDRAULIC SYSTEM

DOUBLE GEAR PUMP

- Boom readiness and reactivity
- Precise and fast movements, even at high power

TECHNICAL DATA

PERFORMANCE

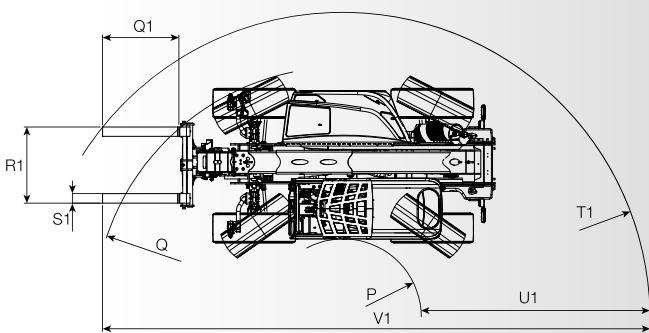
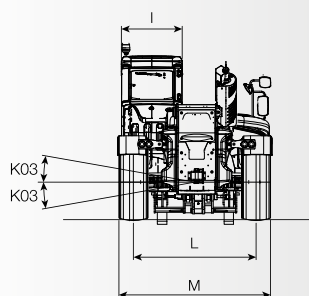
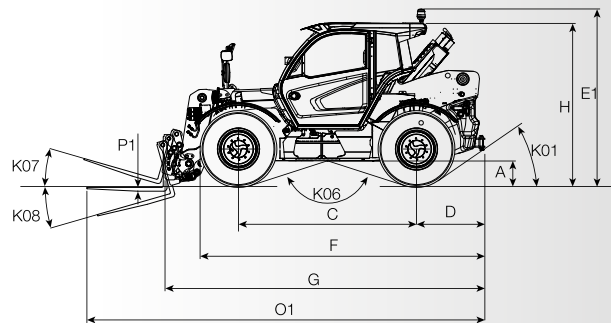
| Vehicle model | AGRI MAX 50.8 | AGRI MAX 60.9 | AGRI MAX 65.8 | AGRI MAX 75.10 |
|--|----------------------|----------------------|----------------------|-----------------------|
| Maximum capacity | 5000 kg (11023 lb) | 6000 kg (13228 lb) | 6500 kg (14330 lb) | 7500 kg (16535 lb) |
| Maximum lifting height | 7,70 m (25,3 ft) | 8,60 m (28,2 ft) | 7,70 m (25,3 ft) | 9,65 m (31,7 ft) |
| Pull-out force | 8900 daN (20008 lbf) | 8900 daN (20008 lbf) | 8900 daN (20008 lbf) | 10600 daN (23830 lbf) |
| Towing force | 8535 daN (19300 lbf) | 8535 daN (19300 lbf) | 8535 daN (19300 lbf) | 8360 daN (18794 lbf) |
| Maximum climb angle | 40% | 40% | 40% | 40% |
| Unladen weight | 10560 kg (23281 lb) | 11500 kg (25353 lb) | 11300 kg (24912 lb) | 12800 kg (28219 lb) |
| Max speed (referred to wheels with maximum permitted diameter) | 40 km/h (24,9 mph) | 40 km/h (24,9 mph) | 40 km/h (24,9 mph) | 40 km/h (24,9 mph) |

ENGINE

| Vehicle model | AGRI MAX 50.8 | AGRI MAX 60.9 | AGRI MAX 65.8 | AGRI MAX 75.10 |
|-----------------------|---|---|---|---|
| Brand | FPT | FPT | FPT | FPT |
| Nominal power | 125 kW (168 HP) | 125 kW (168 HP) | 125 kW (168 HP) | 103 kW (138 HP) |
| @rpm | 2200 rpm | 2200 rpm | 2200 rpm | 2200 rpm |
| Peak power | 128 kW (172 HP) | 128 kW (172 HP) | 128 kW (172 HP) | 114 kW (153 HP) |
| @rpm | 1900 rpm | 1900 rpm | 1900 rpm | 1800 rpm |
| Displacement | 4485 cm ³ (274 in ³) | 4485 cm ³ (274 in ³) | 4485 cm ³ (274 in ³) | 4485 cm ³ (274 in ³) |
| Emission standard | Stage IV/Tier 4f | Stage IV/Tier 4f | Stage IV/Tier 4f | Stage V/Tier 4f |
| Exhaust gas treatment | DOC+SCR | DOC+SCR | DOC+SCR | (DOC + SCR)F |
| Intake | 16-valve turbo compressor, aftercooler | 16-valve turbo compressor, aftercooler | 16-valve turbo compressor, aftercooler | 16-valve turbocharger with aftercooler |

HYDRAULIC SYSTEM

| Vehicle model | AGRI MAX 50.8 | AGRI MAX 60.9 | AGRI MAX 65.8 | AGRI MAX 75.10 |
|-------------------------|--|--|--|--|
| Hydraulic pump type | Piston pump with variable flow rate for power steering and movements. Gear pumps for Fan Drive with fan reversal | Piston pump with variable flow rate for power steering and movements. Gear pumps for Fan Drive with fan reversal | Piston pump with variable flow rate for power steering and movements. Gear pumps for Fan Drive with fan reversal | Piston pump with variable flow rate for power steering and movements. Gear pump for Fan Drive. |
| Hydraulic pump capacity | 247 L/min (65,3 gal/min) | 247 L/min (65,3 gal/min) | 247 L/min (65,3 gal/min) | 160 L/min (42,3 gal/min) |
| Max. operating pressure | 26,0 MPa (3771 psi) | 26,0 MPa (3771 psi) | 26,0 MPa (3771 psi) | 26,0 MPa (3771 psi) |
| Distributor control | 4 in 1 proportional Joystick with FNR | 4 in 1 proportional Joystick with FNR | 4 in 1 proportional Joystick with FNR | 4 in 1 proportional Joystick with FNR |

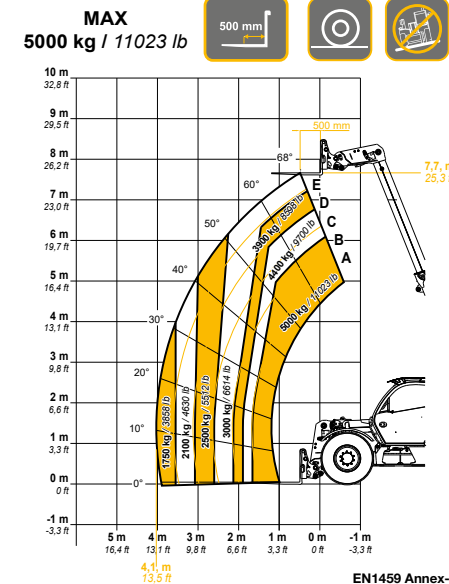


TRANSMISSION

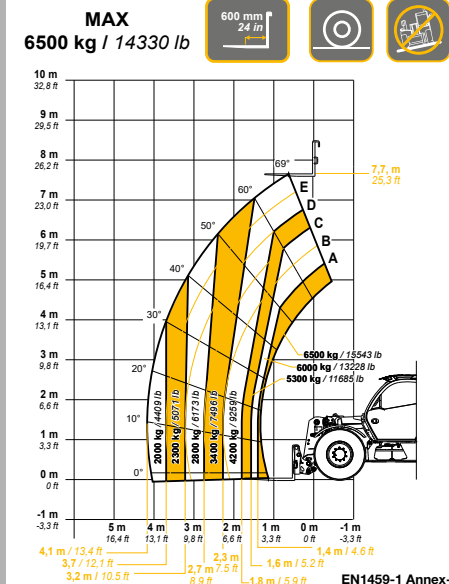
| Vehicle model | AGRI MAX 50.8 - 60.9 - 65.8 | AGRI MAX 75.10 |
|-------------------|--|--|
| Transmission type | Hydrostatic Vario System EVO2 electronically controlled with 2 hydrostatic motors with continuous automatic adjustment | Hydrostatic with variable displacement pump |
| Hydraulic motor | 2 Hydraulic motors with continuous automatic adjustment | Hydrostatic with continuous automatic adjustment |
| Reversal | With electronic control operated with vehicle in motion | Electro-Hydraulic |
| Inching | With electronic pedal for controlled forward movement | With hydraulic pedal for controlled forward movement |

DIMENSIONS

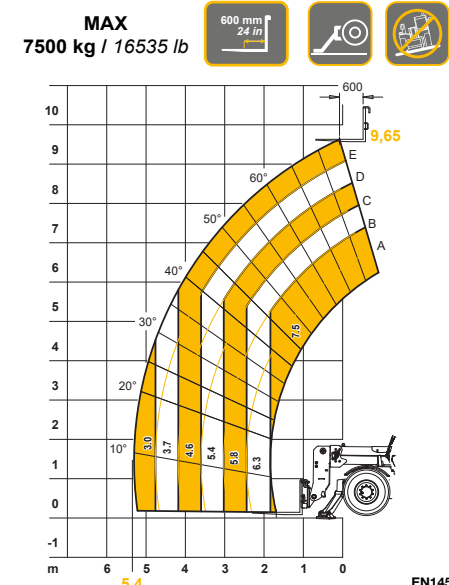
| | AGRI MAX 50.8 | AGRI MAX 60.9 | AGRI MAX 65.8 | AGRI MAX 75.10 |
|-----|--------------------|--------------------|--------------------|--------------------|
| A | 400 mm (15,7 in) | 400 mm (15,7 in) | 400 mm (15,7 in) | 390 mm (15,4 in) |
| C | 2800 mm (110,2 in) | 2800 mm (110,2 in) | 2800 mm (110,2 in) | 2950 mm (116,1 in) |
| D | 1037 mm (40,8 in) | 1037 mm (40,8 in) | 1037 mm (40,8 in) | 1445 mm (56,9 in) |
| E1 | 2800 mm (110,2 in) | 2800 mm (110,2 in) | 2800 mm (110,2 in) | 2900 mm (114,2 in) |
| F | 4442 mm (174,9 in) | 4442 mm (174,9 in) | 4442 mm (174,9 in) | 4990 mm (196,5 in) |
| G | 5023 mm (197,8 in) | 5373 mm (211,5 in) | 5023 mm (197,8 in) | 5910 mm (232,7 in) |
| H | 2545 mm (100,2 in) | 2545 mm (100,2 in) | 2545 mm (100,2 in) | 2640 mm (103,9 in) |
| I | 960 mm (37,8 in) | 960 mm (37,8 in) | 960 mm (37,8 in) | 960 mm (37,8 in) |
| K01 | 37° | 37° | 37° | 25° |
| K03 | 10° | 10° | 10° | 10° |
| K06 | 144° | 144° | 144° | 145° |
| K07 | 16° | 16° | 16° | 13° |
| K08 | 131° | 131° | 131° | 113° |
| L | 1930 mm (76 in) | 1930 mm (76 in) | 1930 mm (76 in) | 1930 mm (76 in) |
| M | 2375 mm (93,5 in) | 2390 mm (94,1 in) | 2375 mm (93,5 in) | 2390 mm (94,1 in) |
| O1 | 6223 mm (245 in) | 6573 mm (258,8 in) | 6223 mm (245 in) | 7260 mm (285,8 in) |
| P | 1229 mm (48,4 in) | 1229 mm (48,4 in) | 1229 mm (48,4 in) | 1325 mm (52,2 in) |
| P1 | 60 mm (2,4 in) | 60 mm (2,4 in) | 60 mm (2,4 in) | 80 mm (3,1 in) |
| Q | 3933 mm (154,8 in) | 3933 mm (154,8 in) | 3933 mm (154,8 in) | 4035 mm (158,9 in) |
| Q1 | 1200 mm (47,2 in) | 1200 mm (47,2 in) | 1200 mm (47,2 in) | 1200 mm (47,2 in) |
| R1 | 1200 mm (47,2 in) | 1200 mm (47,2 in) | 1200 mm (47,2 in) | 1230 mm (48,4 in) |
| S1 | 150 mm (5,9 in) | 150 mm (5,9 in) | 150 mm (5,9 in) | 200 mm (7,9 in) |
| T1 | 4824 mm (189,9 in) | 5104 mm (200,9 in) | 4824 mm (189,9 in) | 5330 mm (209,8 in) |
| U1 | 3596 mm (141,6 in) | 3875 mm (152,6 in) | 3596 mm (141,6 in) | 4000 mm (157,5 in) |
| V1 | 8613 mm (339,1 in) | - | 8613 mm (339,1 in) | 9665 mm (380,5 in) |



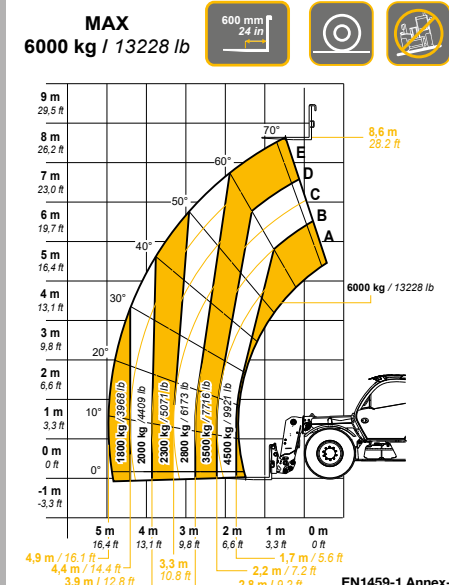
50.8



65.9



75.10



60.9

DIECI SERVICE

ASSISTANCE SERVICE ALWAYS AND EVERYWHERE

General headquarters in Emilia Romagna - over 135,000 square meters and about 400 people employed - and 3 branches in Germany, United Kingdom, France: Dieci is present in over 70 Countries with **an extensive network of over 400 dealers** and authorized service centers.

Dieci Service, our global technical assistance service, is developed on this basis: our customers are assisted directly by specialized technicians and every request is satisfied in a very short time. Dieci Service, **within a few hours, can provide interventions and spare parts all over the world.**

Visit www.dieci.com to find the dealer closest to you.

400 DEALERS

70 COUNTRIES

3 BRANCHES



AGRI MAX

50.8 | 60.9 | 65.8 | 75.10

INVICTO

DIECI

www.dieci.com



Ph: masterservicelorenz.it